

ROGOZ AUDIO ANTI-VIBRATION SPIKES 3S40

TECHNICAL DESCRIPTION

- three adjustment points
- sandwich structure (alloy steel, brass alloy, high carbon content steel, carbon fiber.);
- spike height: 32 mm;
- washer height: 6 mm;
- overall height (spike plus washer): 38 mm;
- diameter: 40 mm;
- overall weight: 238 g;
- operating temperature range: -40oC to 80oC;
- maximum load for a single spike: 100 kg;
- maximum load with three spikes: 300 kg;
- maximum load with four spikes: 400 kg;



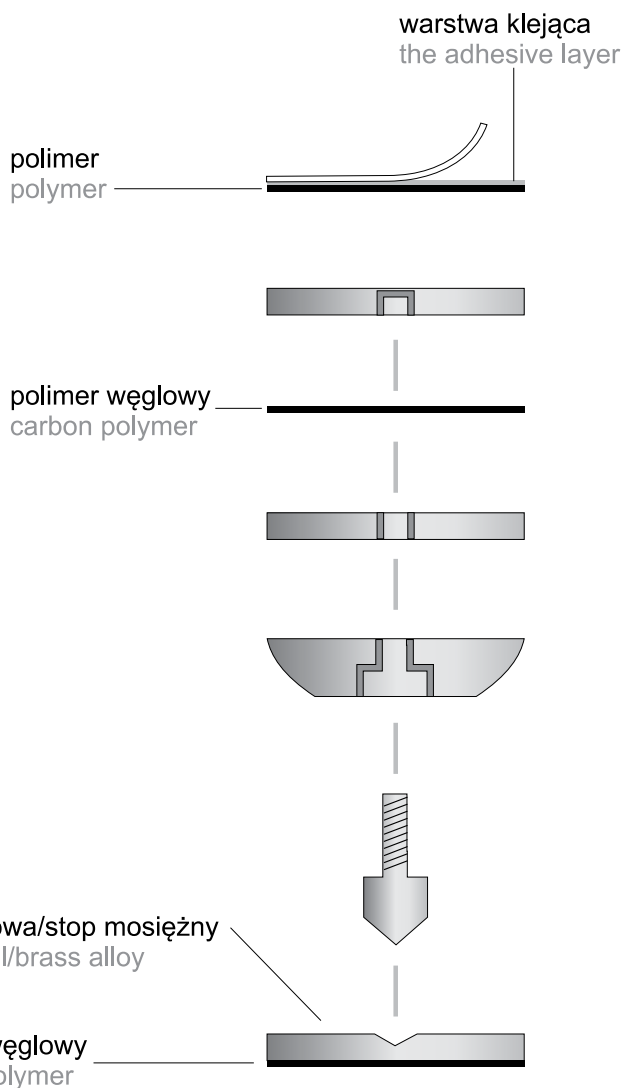
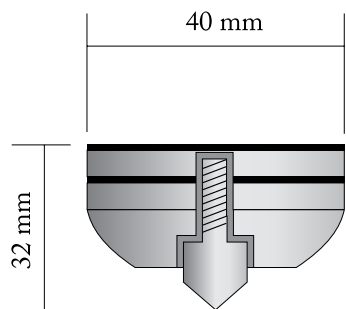
Anti-vibration spikes with sandwich structure and adjustable height are designed for high end audio systems. The anti-vibration effect of the spikes, which rest on massive protective disks, consists in minimizing vibration transmission between the base and audio components. Minimizing contact area results in kinetic energy turning into heat energy (entropy). The spike structure has been tuned by means of special blending of alloy and high-fiber-content steel and carbon polymers. Available colors include silver, gold, and silver-gold.

A COMPLETE SET INCLUDES

- 1 spike;
- massive protective disk Loudspeakers;
- anti-vibration platforms

APPLICATIONS

- CD players;
- analog gramophones
- DAC (Digital to Analog Converters)
- power amplifiers
- integrated amplifiers
- preamplifiers
- loudspeakers
- anti-vibration platforms



ROGOZ AUDIO ANTI-VIBRATION BASES BW40MKII

TECHNICAL DESCRIPTION

- sandwich structure (alloy metals, high carbon content steel, carbon fiber.);
- overall height: 18 mm;
- diameter: 40 mm;
- overall weight: 133 g;
- operating temperature range: 40oC to 80oC;
- maximum load for a single base: 13,75 kg;
- maximum load with three bases: 41 kg;
- maximum load with four bases: 55 kg;



BW40MKII anti-vibration bases have a sandwich structure. The base structure has been tuned by means of special blending of alloy and high-fiber-content steel and carbon polymers.

The anisotropic properties of the materials used and the differences in their surface densities (tensile and compressive stresses) allowed the desired damping characteristics. Available finishing colours are silver or silver-gold.

A COMPLETE SET INCLUDES

- 1 base

APPLICATIONS

- CD players;
- Analog gramophones
- DAC (Digital to Analog Converters)
- Power amplifiers
- Integrated amplifiers
- Preamplifiers
- Loudspeakers
- Anti-vibration platforms