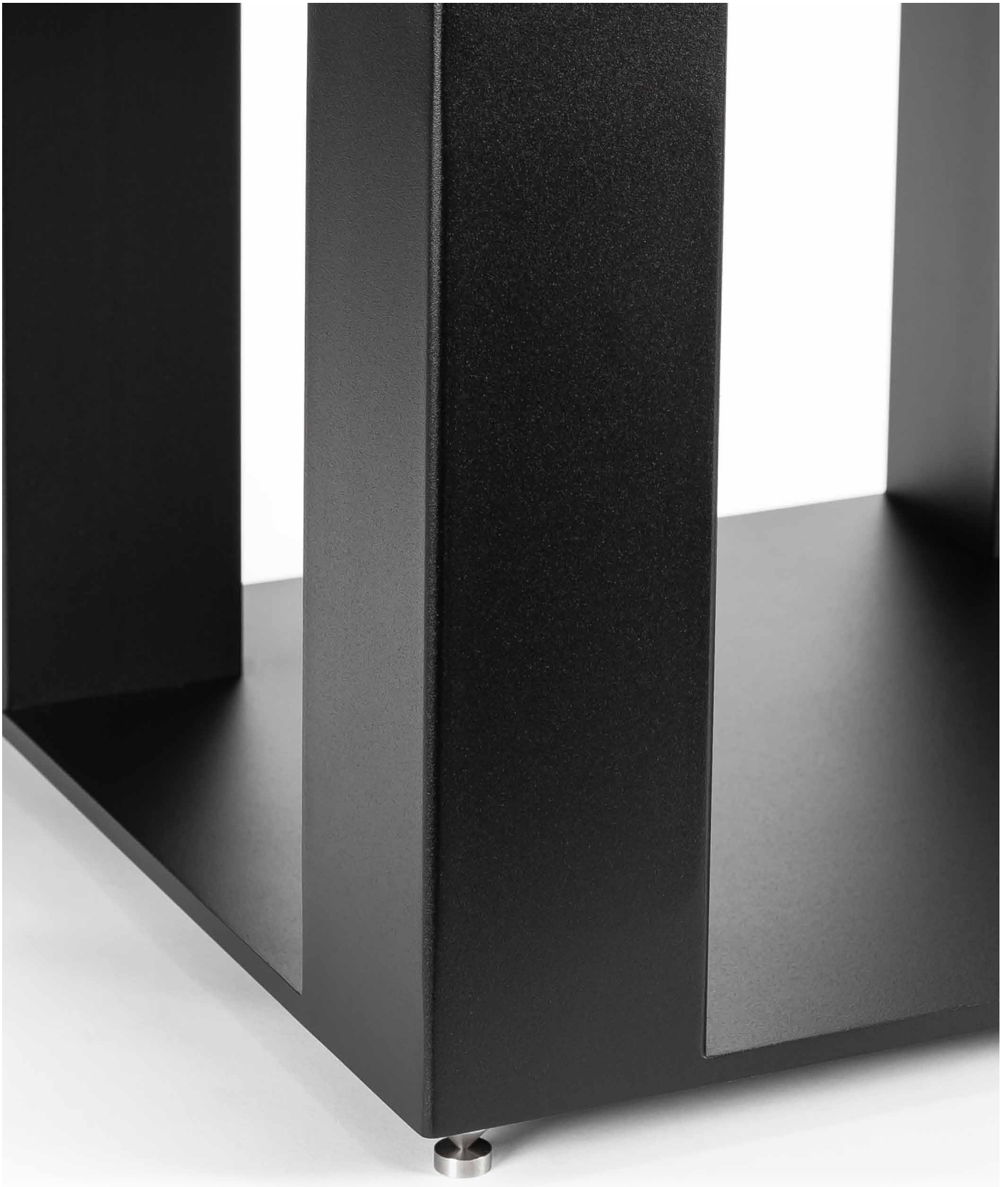


YAGON

a u d i o



ANTI-VIBRATION SPEAKER STANDS

FOR HARBETH

ROGOZ AUDIO ANTI-VIBRATION SPEAKER STANDS

Double-support speaker stands, with individually defined size specifications, designed for Harbeth P3ESR speakers. The stands consist of extra-strong legs made of carbon steel S235JR (which is used for load-bearing structures subject to heavy dynamic load, e.g. in cranes), which have been connected by means of two techniques (TIG and muffling glueing) to thick shelves made from 8 mm higher-strength alloy steel S355.

The latest version of 4QB80 MKII series stands is equipped with phenoplast silencers. The job of the silencers is to provide extra dispersion of high frequency vibrations. Each stand leg has four expansion joints filled with elastic substance.



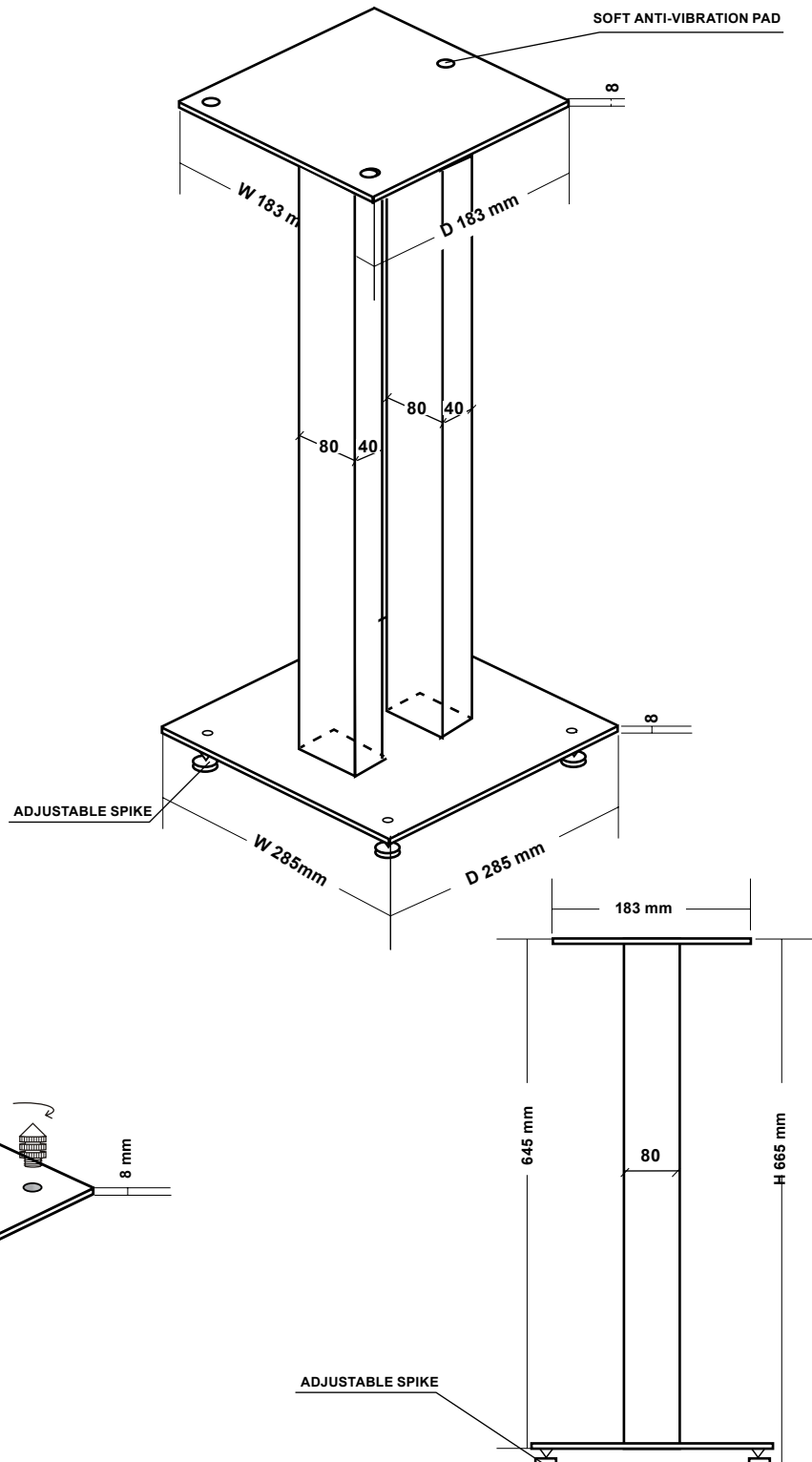
TECHNICAL DESCRIPTION

- Color: black (matt, fine grain)
- Height: 665 mm
- Weight of a single stand: ca. 12 kg without ballast, up to 27 kg with ballast
- Leg: 2 steel profile 80/40 mm
- Upper shelf: metal plate 183 x 183 x 8 mm
- Bottom shelf: metal plate 285 x 285 x 8 mm
- Maximum load (for one stand): 180 kg
- Recommended speaker weight: up to 40 kg

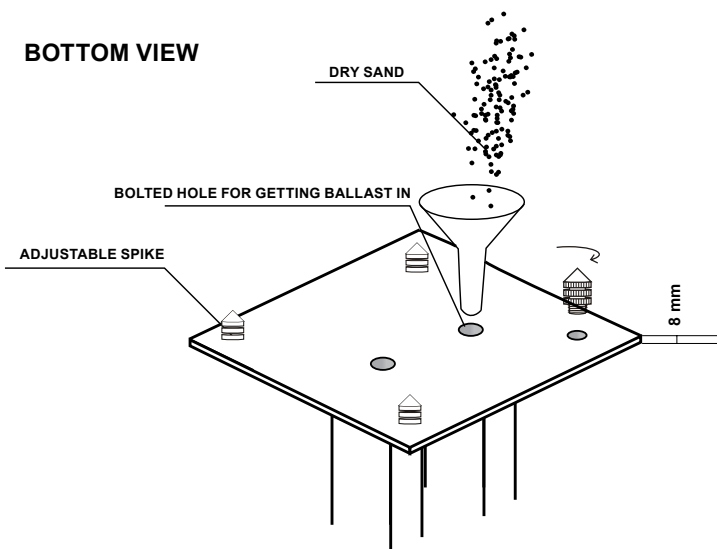
A COMPLETE SET INCLUDES

One set consists of two stands. Each stand contains:

- 2 bolts to close the ballast chambers (optionally, the chambers might be filled with sand or lead shot)
- 4 spikes for the bottom shelf
- 3 soft anti-vibration pads for the top shelf
- 4 anti-scratch disks protecting the floor



BOTTOM VIEW



modification according to individual requests
size change, kind of frame,
kind of shelves, kind of decoupling

50 kg



including
the packaging
and pallet



<https://www.rogoz-audio.com>
office@rogoz-audio.com
januszrogoz@yahoo.pl



ROGOZ AUDIO ANTI-VIBRATION SPEAKER STANDS

Double-support speaker stands, with individually defined size specifications, designed for Harbeth P3ESR speakers. The stands consist of extra-strong legs made of carbon steel S235JR (which is used for load-bearing structures subject to heavy dynamic load, e.g. in cranes), which have been connected by means of two techniques (TIG and muffling glueing) to thick shelves made from 8 mm higher-strength alloy steel S355.

The latest version of 4QB80 MKII series stands is equipped with phenoplast silencers. The job of the silencers is to provide extra dispersion of high frequency vibrations. Each stand leg has four expansion joints filled with elastic substance.

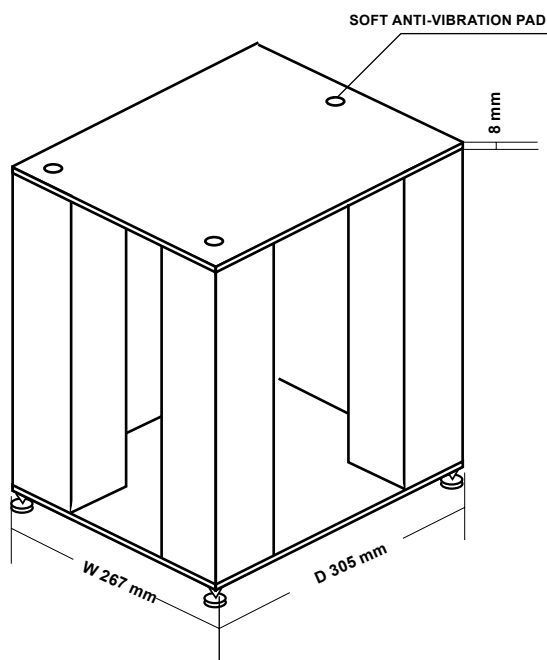
TECHNICAL DESCRIPTION

- Color: black (matt, fine grain)
- Height: 490 mm
- Weight of a single stand: ca. 20 kg without ballast, up to 40 kg with ballast
- Legs: 4 steel profiles 80/80 mm
- Upper shelf: metal plate 267 x 305 x 8 mm
- Bottom shelf: metal plate 267 x 305 x 8 mm
- Maximum load (for one stand): 300 kg
- Recommended speaker weight: up to 60 kg

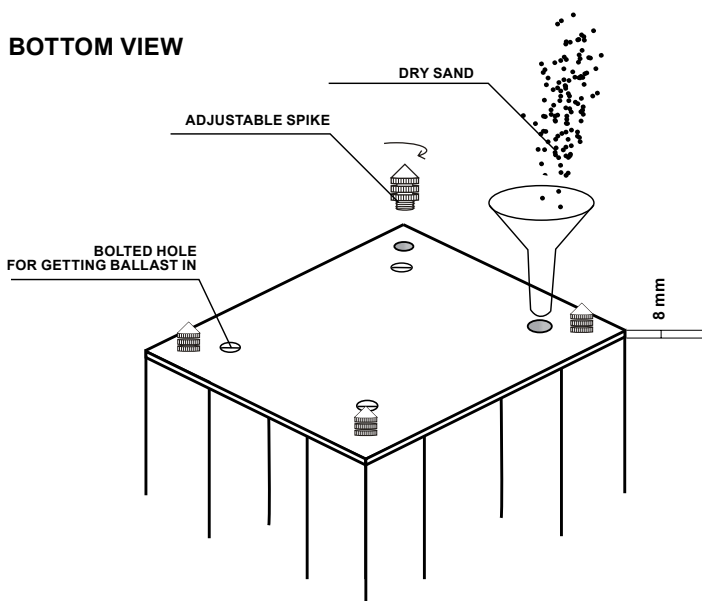
A COMPLETE SET INCLUDES

One set consists of two stands. Each stand contains:

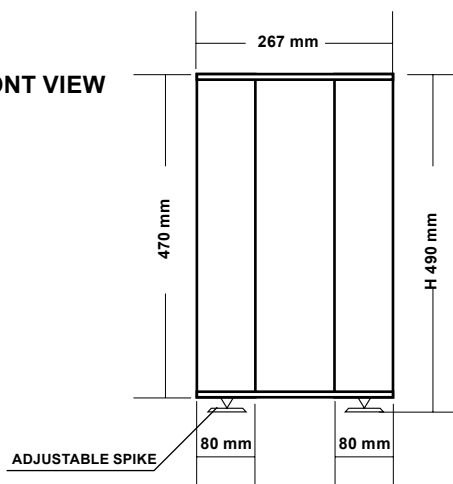
- 4 bolts to close the ballast chambers (optionally, the chambers might be filled with sand or lead shot);
- 4 spikes for the bottom shelf;
- 3 soft anti-vibration pads for the top shelf;
- 4 anti-scratch disks protecting the floor.



BOTTOM VIEW



FRONT VIEW



modification according to individual requests
size change, kind of frame,
kind of shelves, kind of decoupling

80 kg



including
the packaging
and pallet



<https://www.rogoz-audio.com>
office@rogoz-audio.com
januszrogoz@yahoo.pl



ROGOZ AUDIO ANTI-VIBRATION SPEAKER STANDS

Double-support speaker stands, with individually defined size specifications, designed for Harbeth P3ESR speakers. The stands consist of extra-strong legs made of carbon steel S235JR (which is used for load-bearing structures subject to heavy dynamic load, e.g. in cranes), which have been connected by means of two techniques (TIG and muffling glueing) to thick shelves made from 8 mm higher-strength alloy steel S355.

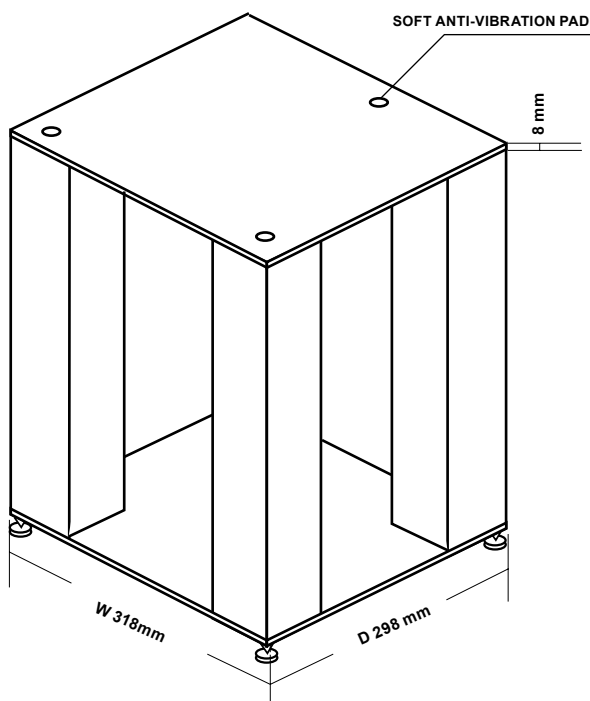
The latest version of 4QB80 MKII series stands is equipped with phenoplast silencers. The job of the silencers is to provide extra dispersion of high frequency vibrations. Each stand leg has four expansion joints filled with elastic substance.

TECHNICAL DESCRIPTION

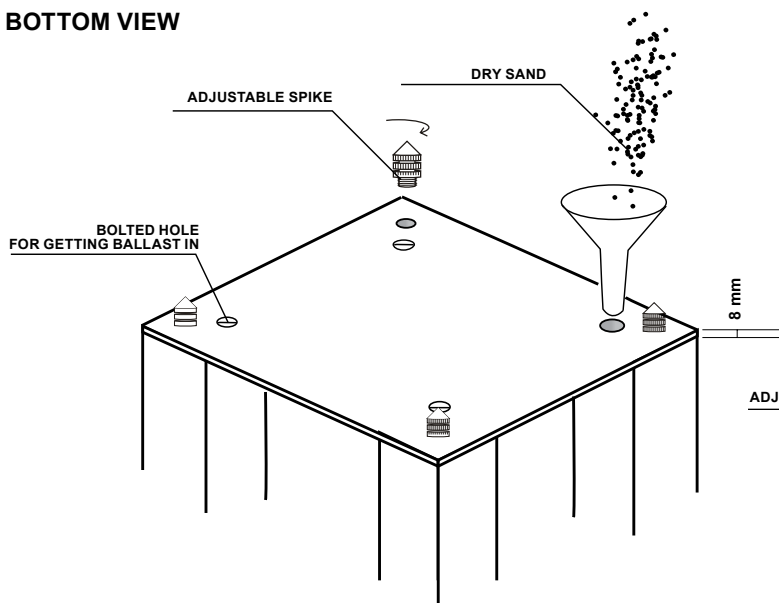
- Color: black (matt, fine grain)
- Height: 436 mm
- Weight of a single stand: ca. 20 kg without ballast, up to 40 kg with ballast
- Legs: 4 steel profiles 80/80 mm
- Upper shelf: metal plate 318 x 298 x 8 mm
- Bottom shelf: metal plate 318 x 298 x 8 mm
- Maximum load (for one stand): 300 kg
- Recommended speaker weight: up to 60 kg

A COMPLETE SET INCLUDES

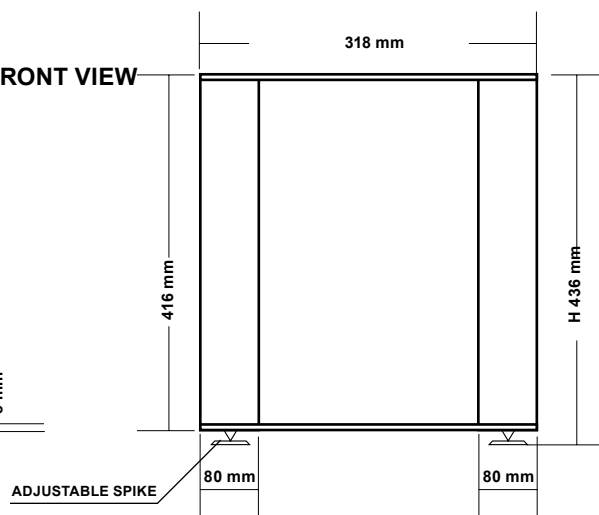
- One set consists of two stands. Each stand contains:
 - 4 bolts to close the ballast chambers (optionally, the chambers might be filled with sand or lead shot);
 - 4 spikes for the bottom shelf;
 - 3 soft anti-vibration pads for the top shelf;
 - 4 anti-scratch disks protecting the floor



BOTTOM VIEW



FRONT VIEW



modification according to individual requests
size change, kind of frame,
kind of shelves, kind of decoupling

80 kg



including
the packaging
and pallet



<https://www.rogoz-audio.com>
office@rogoz-audio.com
januszrogoz@yahoo.pl

ROGOZ AUDIO ANTI-VIBRATION SPEAKER STANDS



Double-support speaker stands, with individually defined size specifications, designed for Harbeth P3ESR speakers. The stands consist of extra-strong legs made of carbon steel S235JR (which is used for load-bearing structures subject to heavy dynamic load, e.g. in cranes), which have been connected by means of two techniques (TIG and muffling glueing) to thick shelves made from 8 mm higher-strength alloy steel S355.

The latest version of 4QB80 MKII series stands is equipped with phenoplast silencers. The job of the silencers is to provide extra dispersion of high frequency vibrations. Each stand leg has four expansion joints filled with elastic substance.

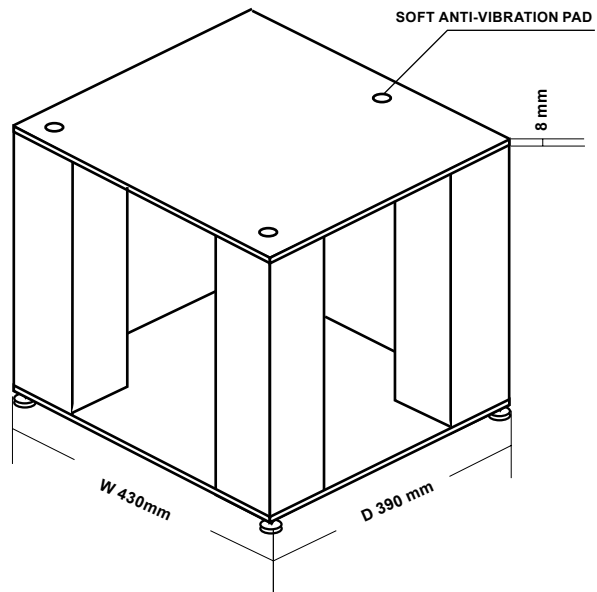
TECHNICAL DESCRIPTION

- Color: black (matt, fine grain)
- Height: 323 mm
- Weight of a single stand: ca. 27 kg without ballast, up to 40 kg with ballast
- Legs: 4 steel profiles 80/80 mm
- Upper shelf: metal plate 430 x 390 x 8 mm
- Bottom shelf: metal plate 430 x 390 x 8 mm
- Maximum load (for one stand): 300 kg
- Recommended speaker weight: up to 60 kg

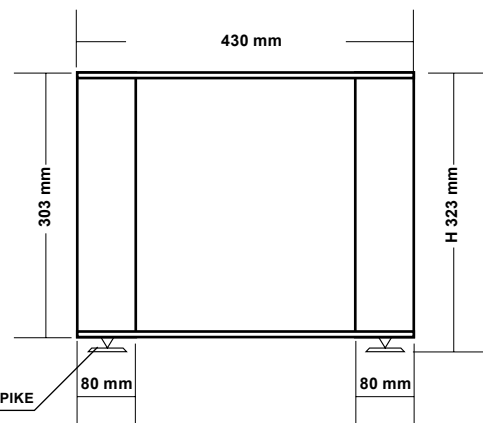
A COMPLETE SET INCLUDES

One set consists of two stands. Each stand contains:

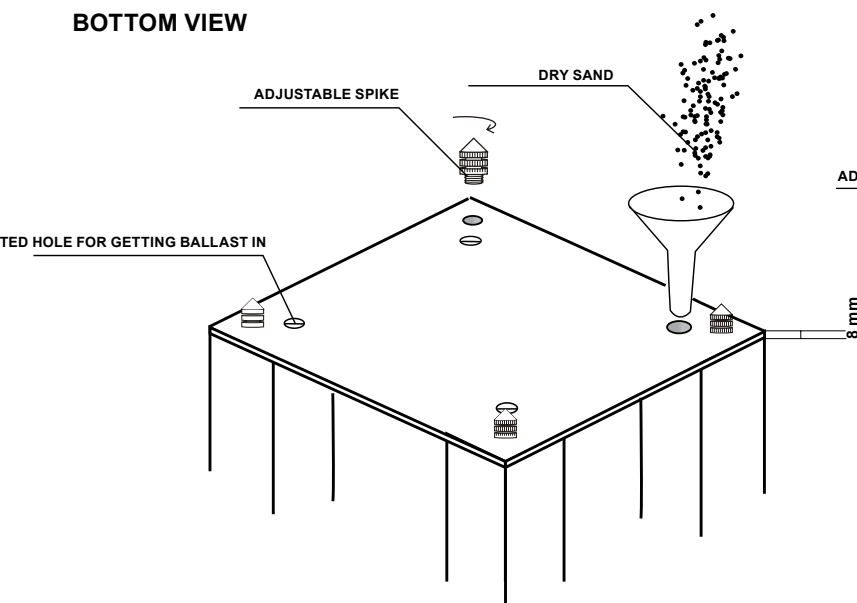
- 4 bolts to close the ballast chambers (optionally, the chambers might be filled with sand or lead shot);
- 4 spikes for the bottom shelf;
- 3 soft anti-vibration pads for the top shelf;
- 4 anti-scratch disks protecting the floor.



FRONT VIEW



BOTTOM VIEW



modification according to individual requests
size change, kind of frame,
kind of shelves, kind of decoupling

110 kg



including
the packaging
and pallet



<https://www.rogoz-audio.com>
office@rogoz-audio.com
januszrogoz@yahoo.pl

ROGOZ AUDIO ANTI-VIBRATION SPEAKER STANDS



Double-support speaker stands, with individually defined size specifications, designed for Harbeth P3ESR speakers. The stands consist of extra-strong legs made of carbon steel S235JR (which is used for load-bearing structures subject to heavy dynamic load, e.g. in cranes), which have been connected by means of two techniques (TIG and muffling glueing) to thick shelves made from 8 mm higher-strength alloy steel S355.

The latest version of 4QB80 MKII series stands is equipped with phenoplast silencers. The job of the silencers is to provide extra dispersion of high frequency vibrations. Each stand leg has four expansion joints filled with elastic substance.

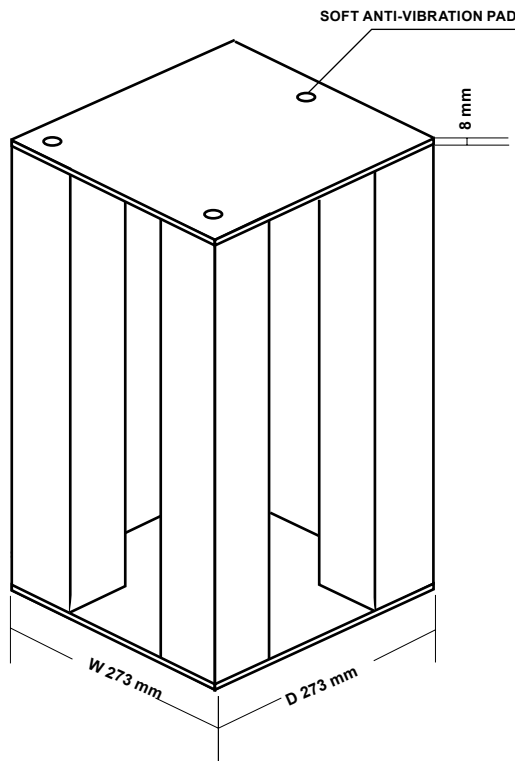
TECHNICAL DESCRIPTION

- Color: black (matt, fine grain)
- Height: 590 mm
- Weight of a single stand: ca. 20 kg without ballast,
- up to 40 kg with ballast
- Legs: 4 steel profiles 80/80 mm
- Upper shelf: metal plate 273 x 273 x 8 mm
- Bottom shelf: metal plate 273 x 273 x 8 mm
- Maximum load (for one stand): 300 kg
- Recommended speaker weight: up to 60 kg

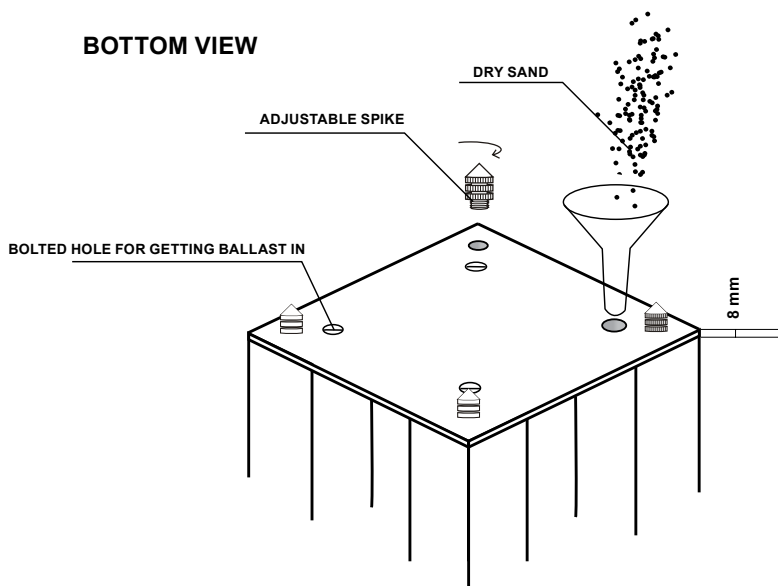
A COMPLETE SET INCLUDES

One set consists of two stands. Each stand contains:

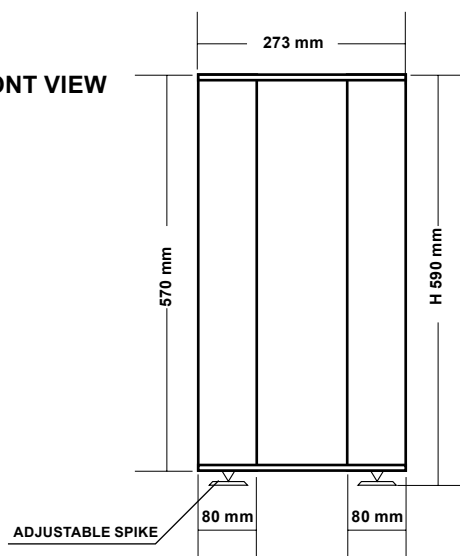
- 4 bolts to close the ballast chambers (optionally, the chambers might be filled with sand or lead shot);
- 4 spikes for the bottom shelf;
- 3 soft anti-vibration pads for the top shelf;
- 4 anti-scratch disks protecting the floor.



BOTTOM VIEW



FRONT VIEW



modification according to individual requests
size change, kind of frame,
kind of shelves, kind of decoupling

75 kg



including
the packaging
and pallet



<https://www.rogoz-audio.com>
office@rogoz-audio.com
januszrogoz@yahoo.pl

ROGOZ audio

Rogoz Audio manufactures specialist anti-vibration furniture: audio stands, speaker stands, and platforms. Our offer is aimed primarily at audiophiles, music lovers, and music business professionals, as well as all those who appreciate high quality of sound and design. Our ultimate goal is creating products eliminating interference between audio components to make it possible for every audio system to reach its maximum effectiveness so that the listeners will enjoy the best possible sound quality.

The furniture and anti-vibration accessories are designed for top quality audio components. A whole structure has been tuned by means of special blending of alloy steel and high carbon content steel. Decoupling and high-precision leveling is achieved by means of adjustable anti-vibration spikes. Some furniture incorporates soft anti-vibration pads to separate parts of the overall structure.

A unique feature of our company is extreme flexibility. Certain modifications are possible and as a result each product is manufactured on a made-to-order basis. Alterations of our standard products are priced individually. Possible changes involve:

- all sizes
- the kind of frames of audio and speaker stands
- the kind of tops and shelves of audio stands
- the shape of speaker stand tops
- the kind of decoupling
- colors

